



Lindab **Roof Drainage System**

Lindab Rainline™

Technical Information



Dimensioning

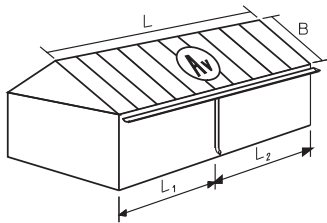
Roof drainage

Dimensioning can be done according to Swedish Standard SS or the Advice and instructions for the code of practice, "Hus AMA, RA 08 Hus".

Dimensioning to SS gives smaller dimensions than if RA 08 Hus is used. This

is because RA 08 Hus has given some consideration to the tendency of gutters to fill up with sludge from leaves and loose material on roof cladding etc. SS compensates this by specifying a smallest fall for self-clearance of 5-7 mm/m, depend-

ing on dimensions. Diagrams and tables based on the dimensioning instructions in SS and Hus AMA are included below.



A_v = True roof area
 L_1 and L_2 = Distance from building corner

Example

Roof area $L = 20$ m, $B = 9$ m $\rightarrow A_v = 180$ m²
 A down pipe located 11.6 m from one end

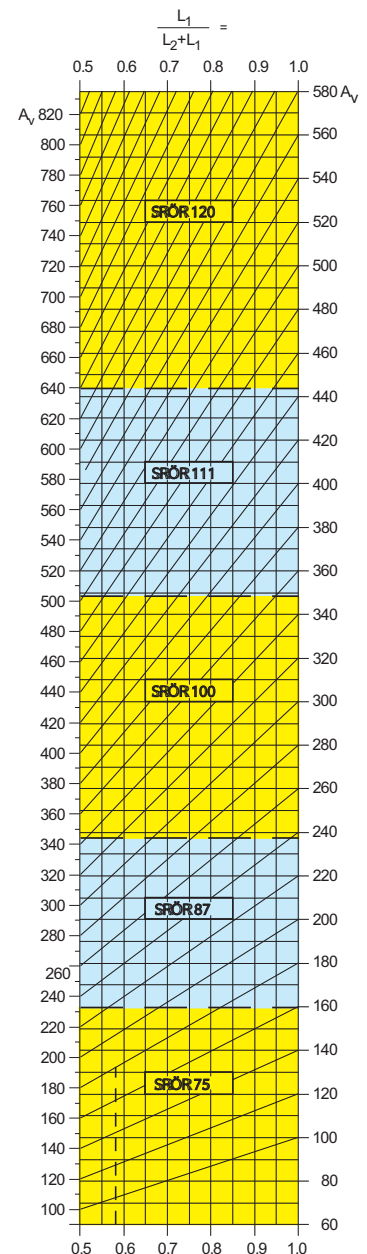
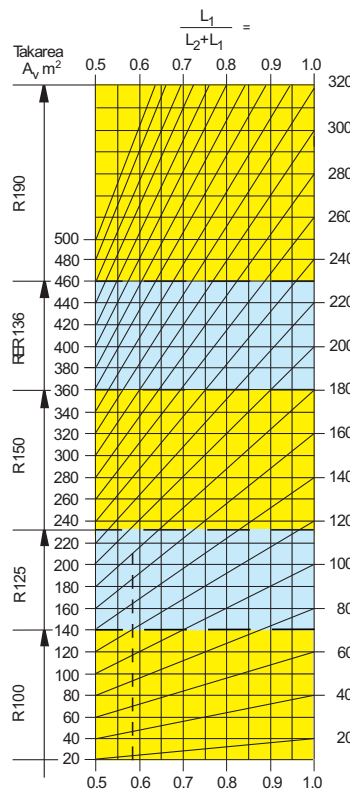
$$\rightarrow \frac{L_1}{L_1 + L_2} = \frac{11.6}{20} = 0.58$$

Result

You can choose a half round gutter of R125 or larger.
 The down pipe from the second diagram should then be SRÖR75.

Dimensioning to SS

SS diagrams contain curves for various rain intensities. It approves the assumption that the probable rain intensity can be specified as 0.013 l / (sm²) on areas less than 10,000 m² for the whole country, which is what our diagram is based on. SS assumes that the gutter is laid with a smallest fall of 2.5 mm/m. Since SS does not cover our entire product range, the curves in SS have been extrapolated. It should be noted that the dimensioning instructions in SS can give a relationship between gutters and down pipes which does not correspond with the product standard for gutter outlets. This is because of traditional and appearance demands for size matching between gutters and down pipes.



Technical Facts

Rainline*

Colour chart

Number	Name	Nearest NCS	Nearest RAL
001	Antique white	S 1002-G50Y	9002
015	Black	S 9000-N	9011
035	Graphite grey	S 7502-B	7016
044	Anthracite metallic	-	9007
044M	Anthracite Matt	S 6000-N	9007
045	Silver metallic	-	9006
087	Dark grey	S 7005-B20G	7011
387	Coffee brown	S 8502-Y	8019
434	Brown	S 7010-Y70R	8017
742	Tile red	S 4040-Y80R	8004
758	Dark red	S 5040-Y80R	3009
778	Copper metallic	-	8001

Other material

ZM	Zinc-magnesium	-	-
CU	Copper	-	-

All colour coated Roof drainage products from Lindab are coated with a zinc layer of 275 g/m².

* All colors are not available in all dimensions and combinations.

Technical Facts

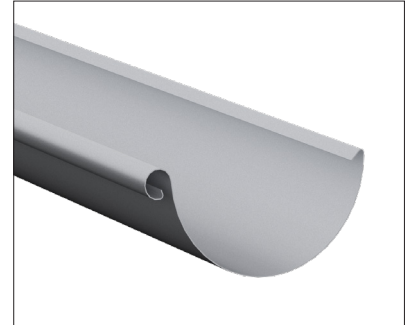
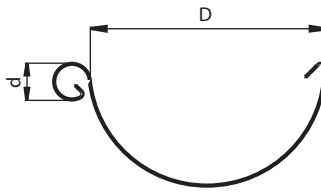
Gutter with accessories

R Gutter

Dim	D mm	d mm	Area* mm ²	Area** mm ²
100	107	17	4500	4100
125	123	17	5900	5500
150	155	17	9400	8900
190	192	22	17300	16200

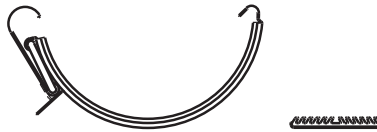
* Sectional area

** Water carrying area (6 mm lower front edge, 190 gutter 11 mm)



RSK Gutter joint

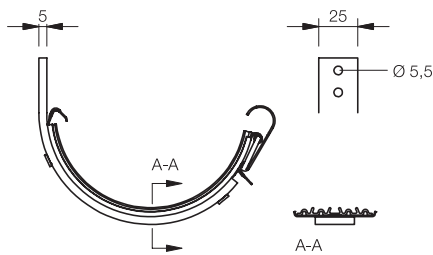
Dim
100
125
150



RSKR Bracket

Dim
125
150

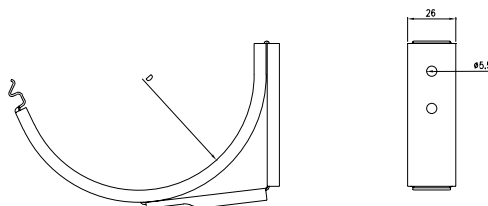
To SS-EN 1462 Class A-H



KLK Adjustable bracket

Dim
100
125
150

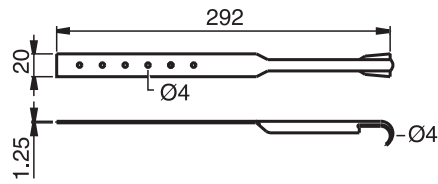
To SS-EN 1462 Class A-H



Technical Facts

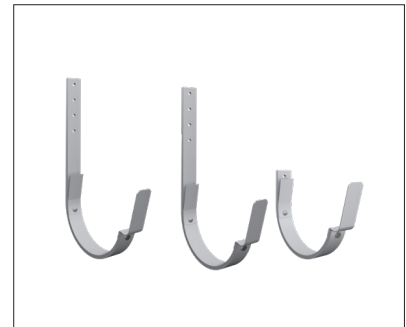
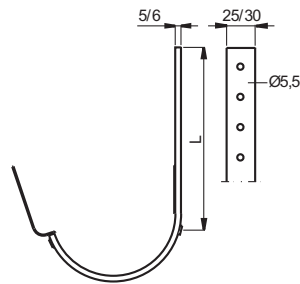
Gutter with accessories

STAG Stay strap



K33/K24/K21/K16/K07 Bracket

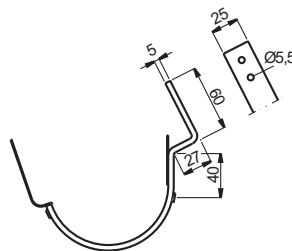
Dim	L mm				
	K33	K24	K21	K16	K07
100				160	70
125			210	160	70
150			210	160	70
190	334	244			74



To SS-EN 1462 Class A-H

K11 Bracket for 27° roof pitch

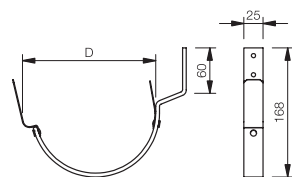
Dim
100
125
150



To SS-EN 1462 Class A-H

K11P 150 Bracket for Sandwich panels

Dim
150



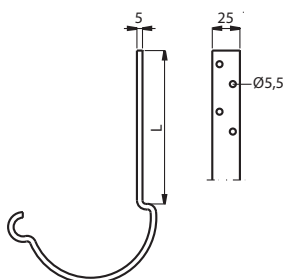
Technical Facts

Gutter with accessories

KFL35/KFL/KFM Bracket

Dim	L mm		
	KFL35	KFL	KFM
100		196	
125	336	196	146
150	336	196	146

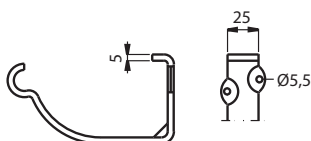
To SS-EN 1462 Class A-H



KFK Fascia Bracket

Dim
100
125
150

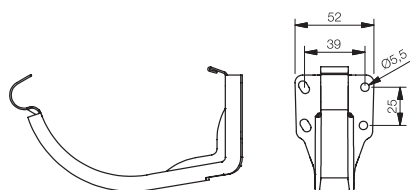
To SS-EN 1462 Class A-H



KPK Thin Gauge Bracket

Dim
125
150

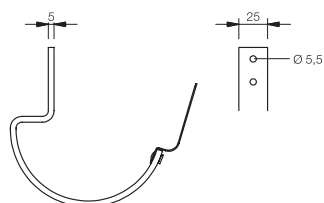
To SS-EN 1462 Class A-H



KRD Bracket

Dim
125

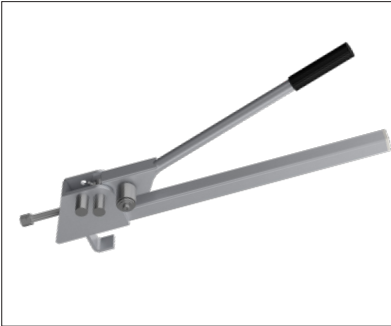
To SS-EN 1462 Class A-H



Technical Facts

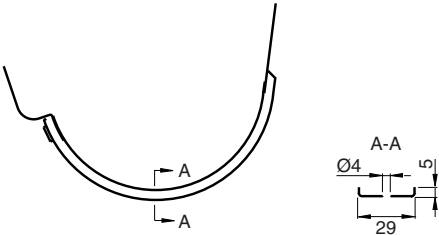
Gutter with accessories

KBO Bracket bender



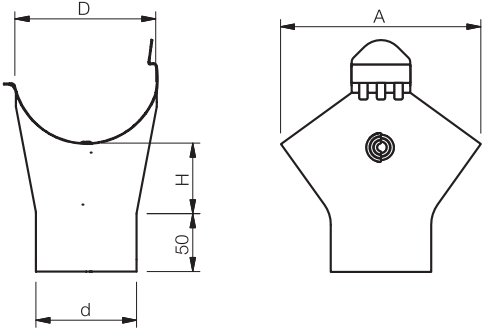
TB Cover brace

Dim
100
125
150



OMV Gutter outlet

Dim D/d	A mm	H mm
100/75	156	56
100/87	156	48
125/75	174	67
125/87	174	59
125/100	174	50
150/87	212	82
150/100	212	73
150/111	212	66
150/120	212	60
190/100	180	62
190/120	206	62

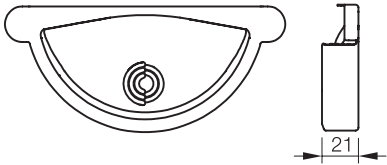


Technical Facts

Gutter with accessories

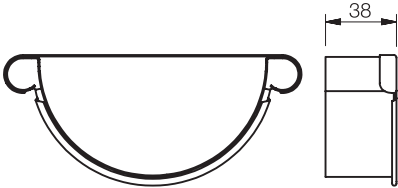
RG Stop end

Dim
100
125
150



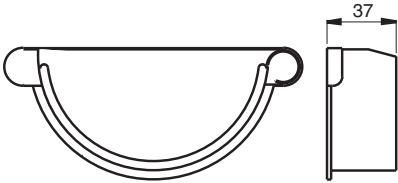
RGU Stop end

Dim
100
125
150



RGV/RGH Stop end

Dim
100 outgoing
125 outgoing
150 outgoing
190

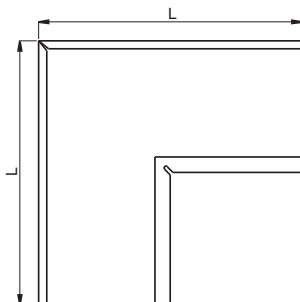


Technical Facts

Gutter with accessories

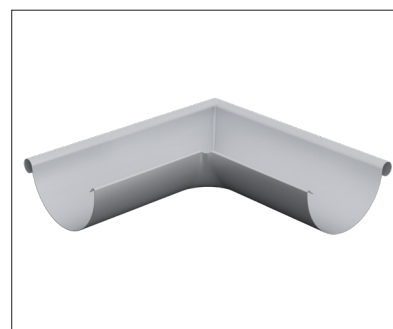
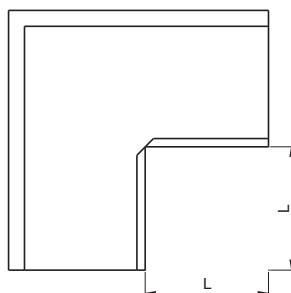
RVI Gutter angle, inner

Dim	L mm
100	400
125	300
150	300
190	500



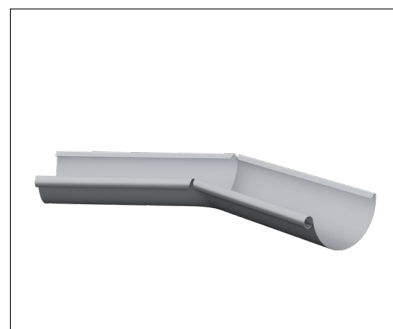
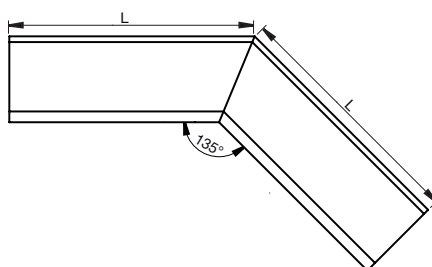
RVY Gutter angle, outer

Dim	L mm
100	295
125	160
150	130
190	285



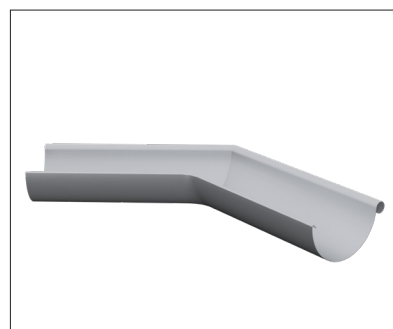
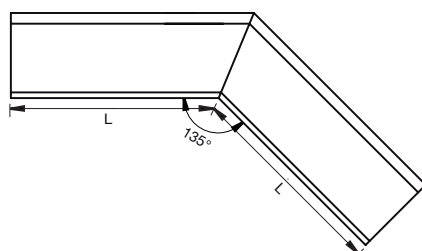
RVI135 Gutter angle 135°, inner

Dim	L mm
100	300
125	300
150	300



RVY135 Gutter angle 135°, outer

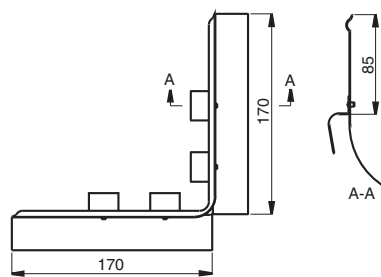
Dim	L mm
100	250
125	240
150	230



Technical Facts

Gutter with accessories

ÖSK Overflow protection

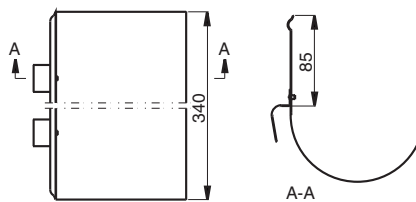


ÖSKR Overflow protection, straight

Dim

125

150



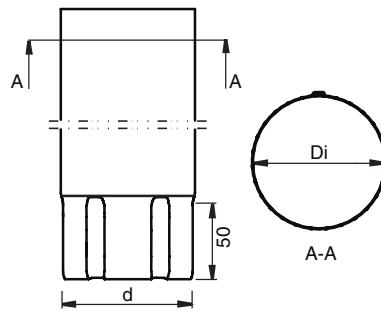
Technical Facts

Downpipe with accessories

SRÖR Down pipe

Dim	Area
Di/d	mm ²
75	4400
87	5900
100	7800
111	9700
120	11300

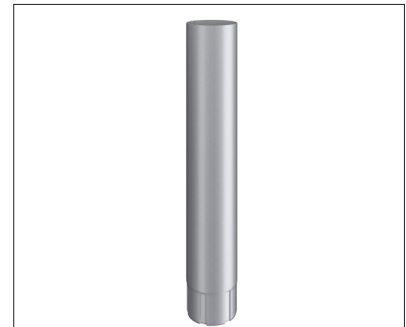
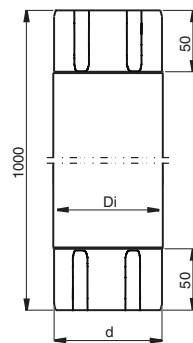
To SS-EN 612 Class A-X



MST Intermediate pipe

Dim
75
87
100
111
120

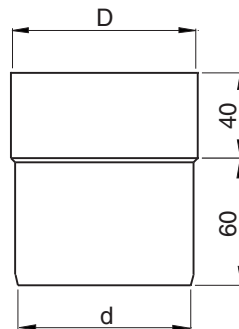
Cuts into suitable pieces



SRORM Pipe connector

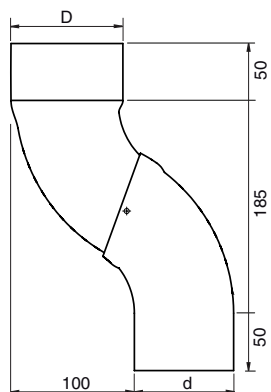
Dim
D/d
75
87
100

SRORM fits both inside and outside the downpipe.



SOKN One piece bend

Dim
D/d
75
87
100

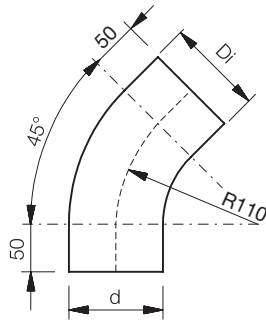


Technical Facts

Downpipe with accessories

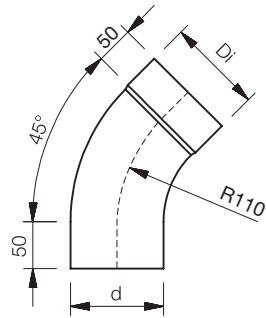
BK45 Bends 45°

Dim
Di/d
75
87
100
111
120



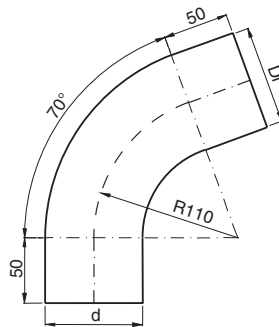
BM45 Bends 45°

Dim
D/d
75
87
100
111
120



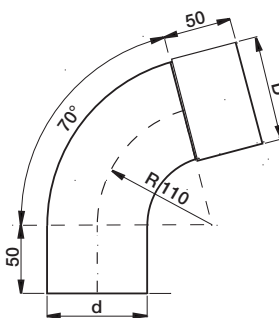
BK70 Bends 70°

Dim
Di/d
75
87
100
111
120



BM70 Bends 70°

Dim
D/d
75
87
100
111
120

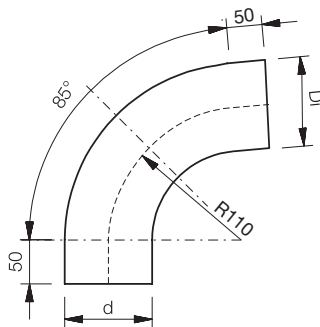


Technical Facts

Downpipe with accessories

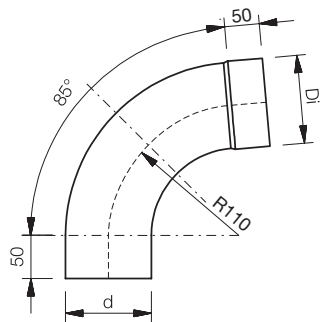
BK85 Bends 85°

Dim	
Di/d	
75	
87	
100	
111	
120	



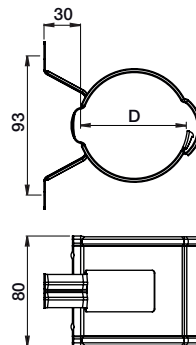
BM85 Bends 85°

Dim	
D/d	
75	
87	
100	
111	
120	



SSVU Pipe holder

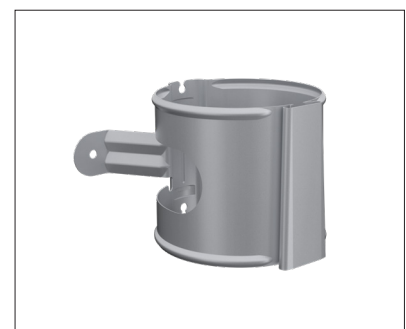
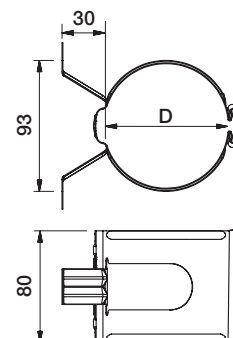
Dim	
D	
75	
87	
100	
111	
120	



With wedge locking in aluminium-zinc design.

SVHA Pipe holder

Dim	
D	
75	
87	
100	
111	
120	

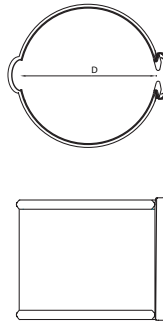


Technical Facts

Downpipe with accessories

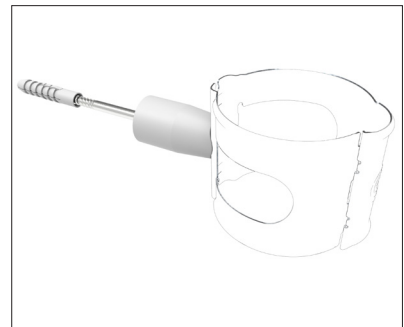
SV Pipe holder with spike

Dim
D
75
87
100
111
120



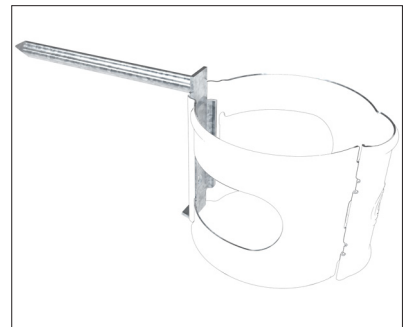
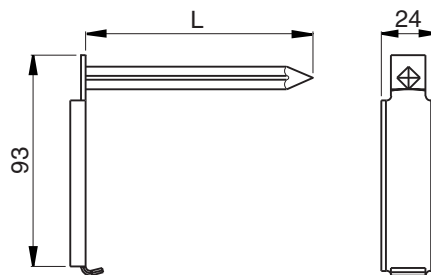
SSC Screw kit

Distance from wall (mm)	Plug	Holder	Distances
25	1	1	-
55	1	1	1
85	1	1	2
115	1	1	3



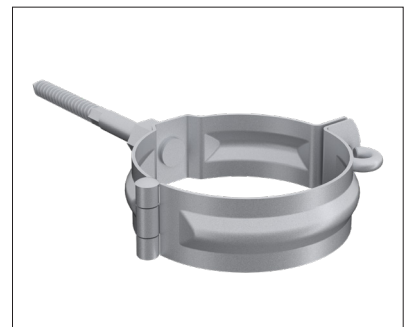
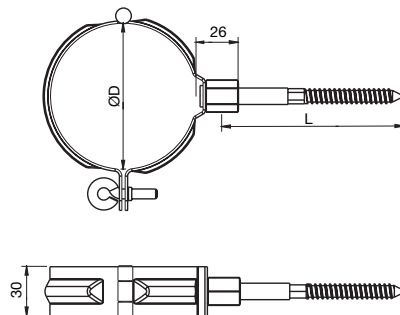
SST Spike

L
mm
125
175
250
300



SHFS Pipe holder

Dim
D
75
87
100

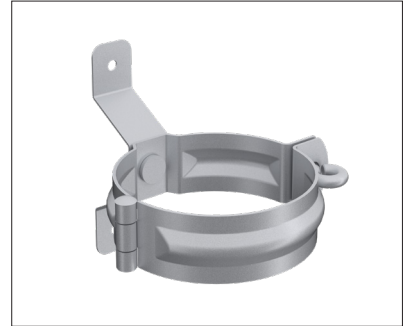
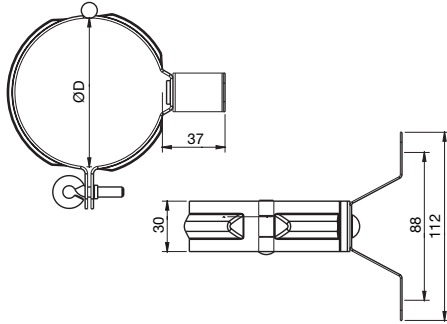


Technical Facts

Downpipe with accessories

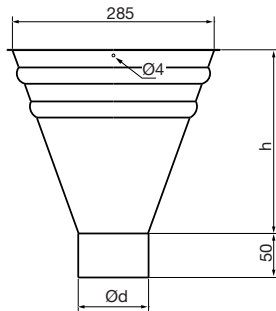
SHFB Pipe holder

Dim	D
75	
87	
100	



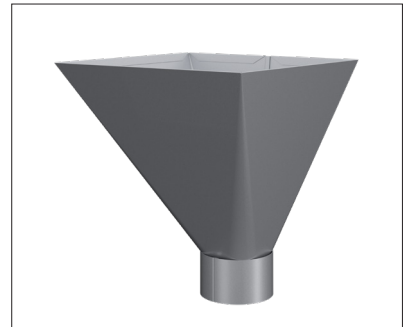
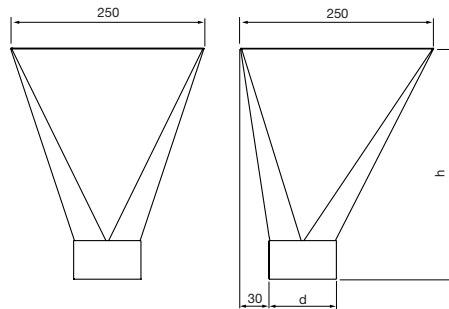
VATK Hopper

Dim	h
87	270
100	253
111	239
120	227



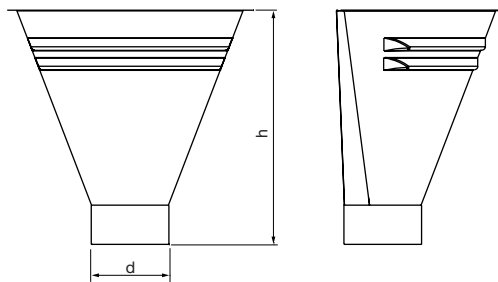
VATKL Square hopper

Dim	h
75	305
87	230
100	200



VATKS Halfround hopper

Dim	h
87	270
100	253

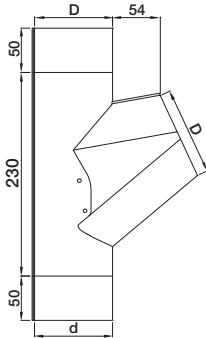


Technical Facts

Downpipe with accessories

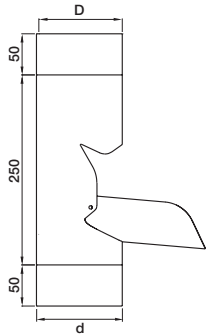
GRÖR Adjustable branch

Dim	
75	
87	
100	
111	
120	

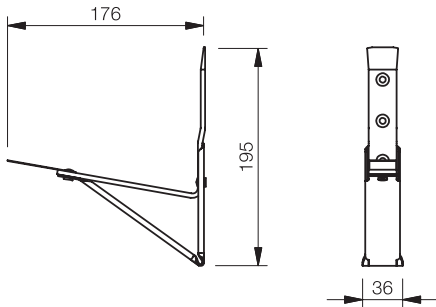


FUTK Adjustable shoe

Dim	
75	
87	
100	



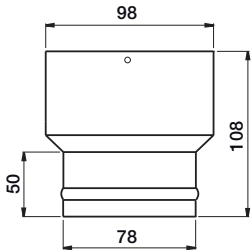
FRK Gutter hook



SLAS

Connector for 80 mm hose.

Dim	
87	

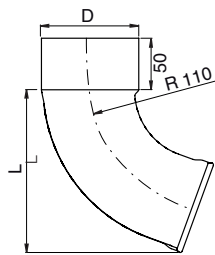


Technical Facts

Downpipe with accessories

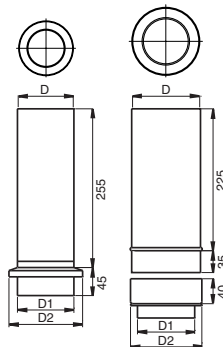
UTK Shoe

Dim	L mm
75	151
87	157
100	113
111	169
120	173



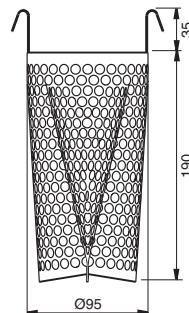
BUTK Drain shoe

Dim	D1 mm	D2 mm
75	81	115
87	93	115
100	93	115
111	93	119
120	93	125



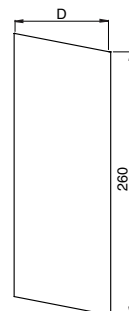
DVSIL Leaf filter

Stainless steel.



PRT Sliding pipe

Dim
75
87
100
111



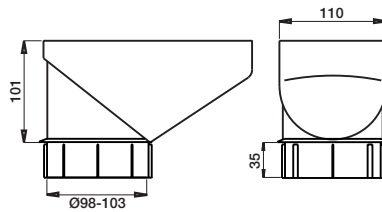
The sliding pipe fits outside the down pipe.

Technical Facts

Downpipe with accessories

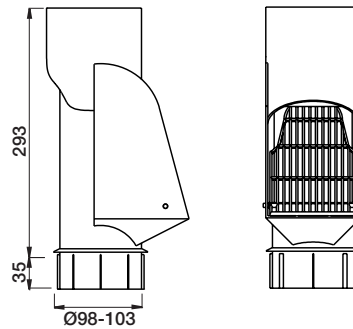
RT Drain trap (HD polythene)

Leaf filter in HD polythene for down pipes. The lower section fits standard ground pipes/junction pipes.



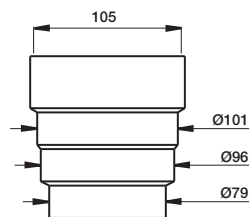
SLS Self cleaning leaf trap

Self cleaning leaf filter in HD polythene for down pipes. The lower section fits standard ground pipes.



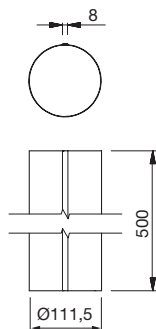
MRT Drain connector

Connector for HD polythene filters. For connection to ground pipes with dimensions other than standard.



IMR Lining of the cursor

Dim
75
87
100



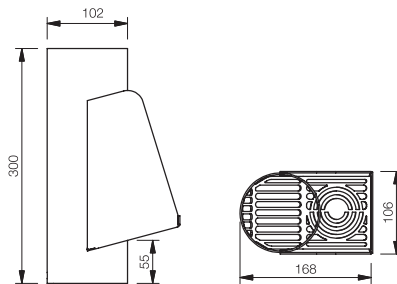
Technical Facts

Reinforced downpipe with accessories

Vandal 300 SLS

300 mm reinforced downpipe with self-cleaning leaf filter.

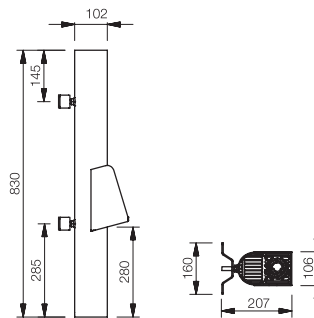
	Steel	Stainless
Outer dim. (Ø mm)	101.6	101.6
Thickness	2.0	1.5
Weight (kg)	2.1	1.8



Vandal 850 SLS

830 mm reinforced downpipe with self-cleaning leaf filter for buildings with plinth.

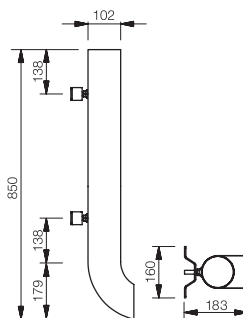
	Steel	Stainless
Outer dim. (Ø mm)	101.6	101.6
Thickness	2.0	1.5
Weight (kg)	5.3	4.1



Vandal 850 UTK

850 mm reinforced downpipe with shoe.

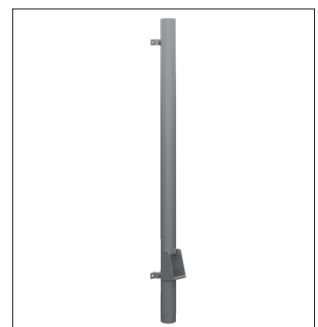
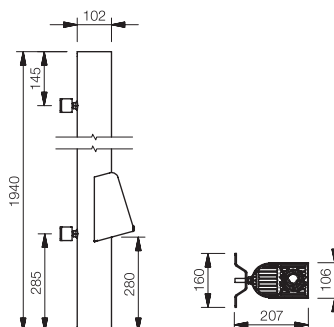
	Steel	Stainless
Outer dim. (Ø mm)	101.6	101.6
Thickness	2.0	1.5
Weight (kg)	5.3	4.0



Vandal 2000 SLS

2 m reinforced downpipe with self-cleaning leaf filter at the bottom.

	Steel	Stainless
Outer dim. (Ø mm)	101.6	101.6
Thickness	2.0	1.5
Weight (kg)	10.9	8.5



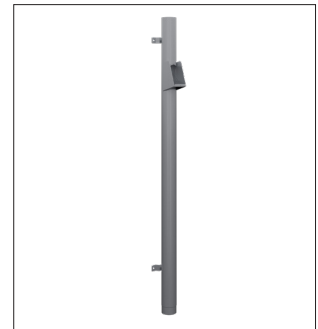
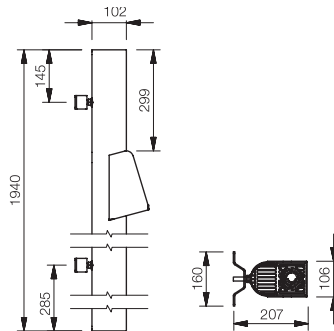
Technical Facts

Reinforced downpipe with accessories

Vandal 2000 SLST

2 m reinforced downpipe with self-cleaning leaf filter on top. Excellent for use in kindergarten and junior school environments.

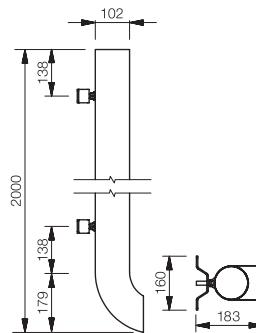
	Steel	Stainless
Outer dim. (Ø mm)	101.6	101.6
Thickness	2.0	1.5
Weight (kg)	10.9	8.5



Vandal 2000 UTK

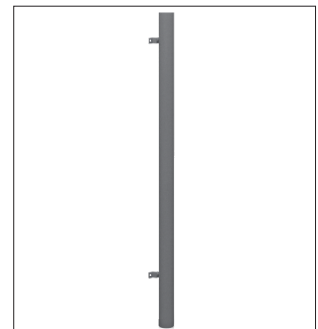
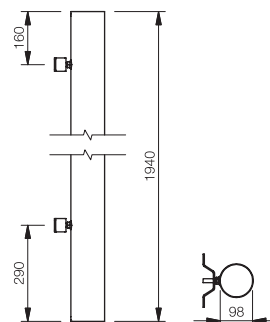
2 m reinforced downpipe with shoe.

	Steel	Stainless
Outer dim. (Ø mm)	101.6	101.6
Thickness	2.0	1.5
Weight (kg)	11.8	8.0



Vandal 2000 STD

	Steel	Stainless
Outer dim. (Ø mm)	101.6	101.6
Thickness	2.0	1.5
Weight (kg)	10.5	8.2



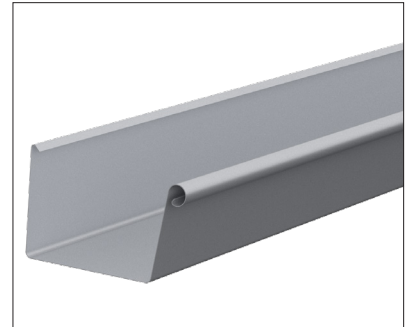
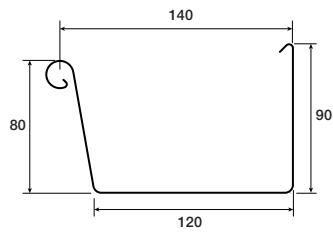
Technical Facts

Rectangular gutter with accessories

RTRA Gutter

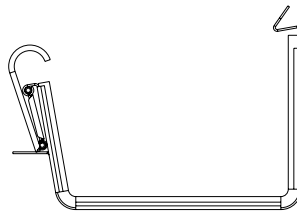
Dim	Area* mm ²
140	10400

* Water carrying area.



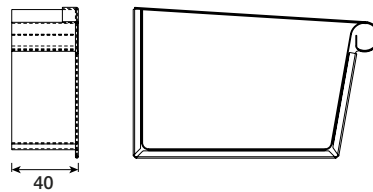
RTSK Gutter joint

Dim
140



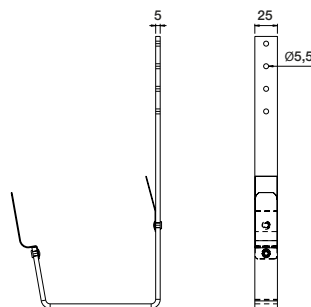
RTGV/RTGH Stop end

Dim
140



RTK07/RTK21 Bracket

Dim	L mm	
	RTK07	RTK21
140	70	210

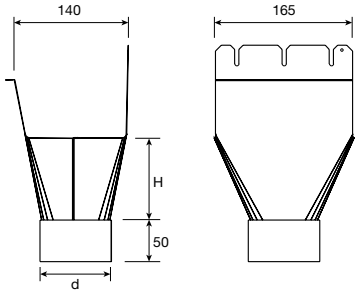


Technical Facts

Rectangular gutter with accessories

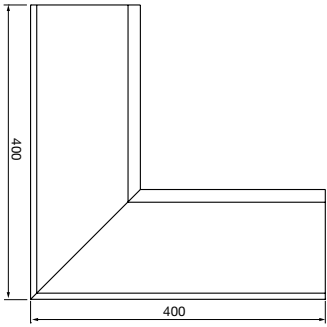
RTOK Gutter outlet

Dim	H
D/d	mm
140/87	95
140/100	85
140/111	75



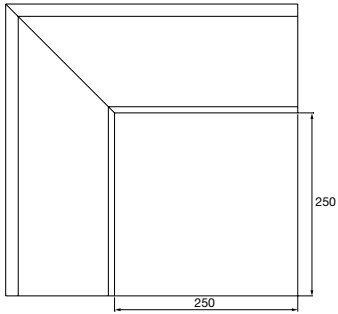
RTVI Gutter angle, inner

Dim
140



RTVY Gutter angle, outer

Dim
140



Technical Facts

Accessories

STIFT Touch up paint

Touch up paint to fix the small scratch or to cover up cut ends, with application brush.





Good Thinking

At Lindab, good thinking is a philosophy that guides us in everything we do. We have made it our mission to create a healthy indoor climate – and to simplify the construction of sustainable buildings. We do that by designing innovative products and solutions that are easy to use, as well as offering efficient availability and logistics. We are also working on ways to reduce our impact on our environment and climate. We do that by developing methods to produce our solutions using a minimum of energy and natural resources, and by reducing negative effects on the environment. We use steel in our products. It's one of few materials that can be recycled an infinite number of times without losing any of its properties. That means less carbon emissions in nature and less energy wasted.

We simplify construction

Lindab Group

SE-269 82 Båstad
Phone +46 (0)431 850 00

